


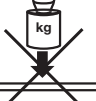


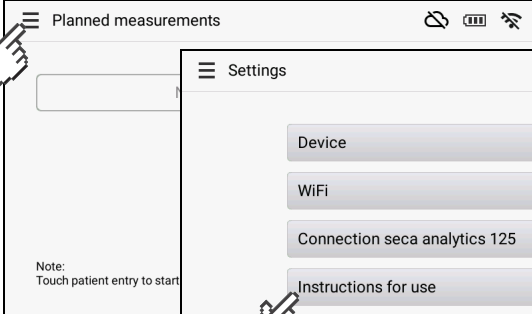
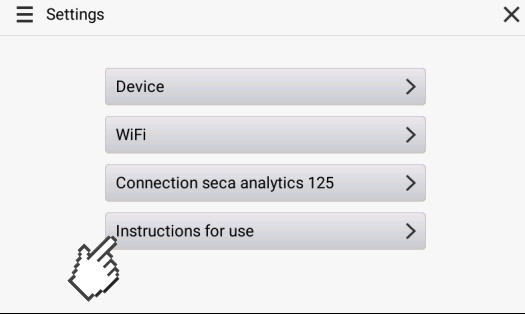


# Schnellstartanleitung • Quick Start Guide Guide de démarrage rapide • Guía rápida de inicio

## seca mBCA 525 c

### 1. SICHERHEITSHINWEISE • SAFETY PRECAUTIONS • CONSIGNES DE SÉCURITÉ • AVISOS DE SEGURIDAD


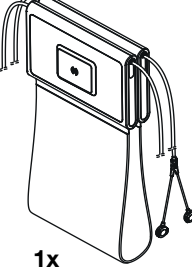
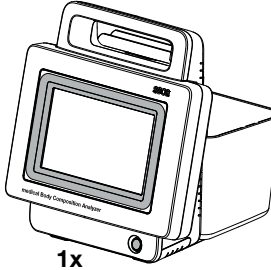



1.      

2.  

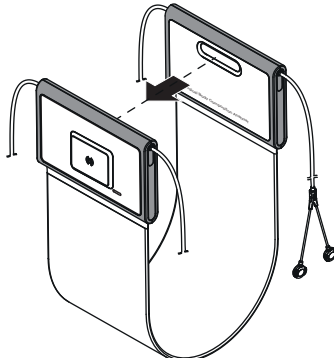
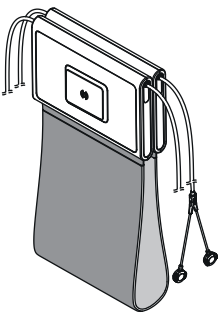
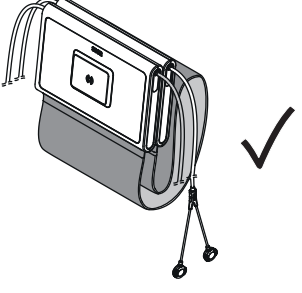
Instructions for use  
seca  
mBCA 525 c

PDF:  
[www.seca.com](http://www.seca.com)

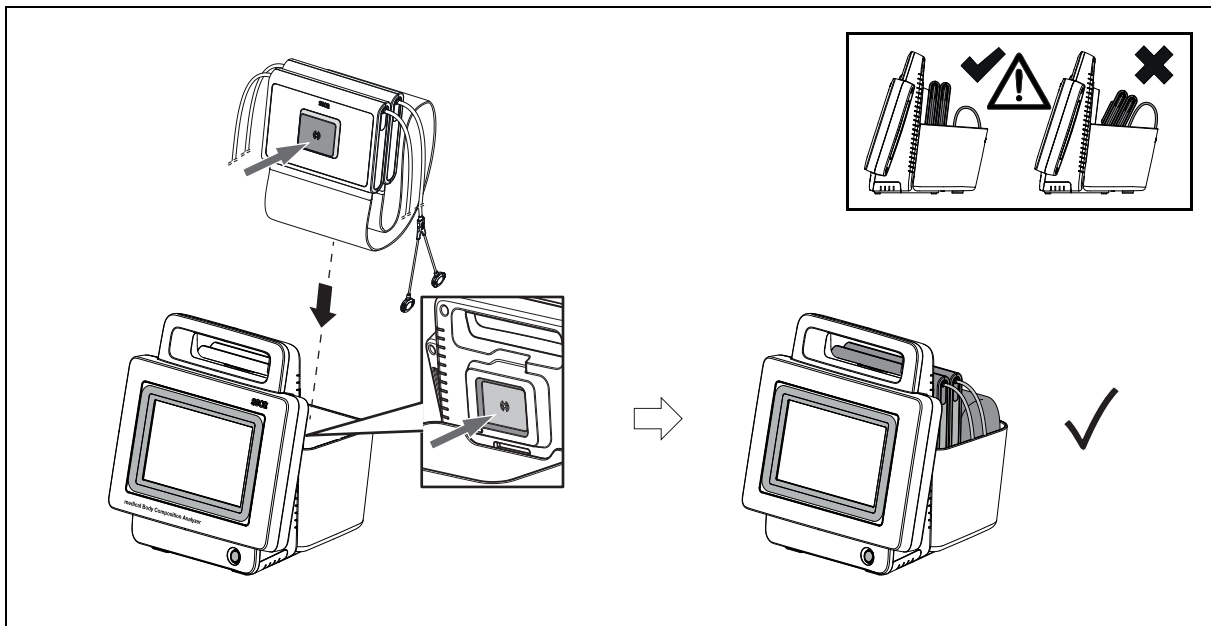
### 2. LIEFERUMFANG • SCOPE OF SUPPLY • ÉLÉMENTS LIVRÉS • VOLUMEN DE SUMINISTRO

 →  1x  1x  1x  1x  1x

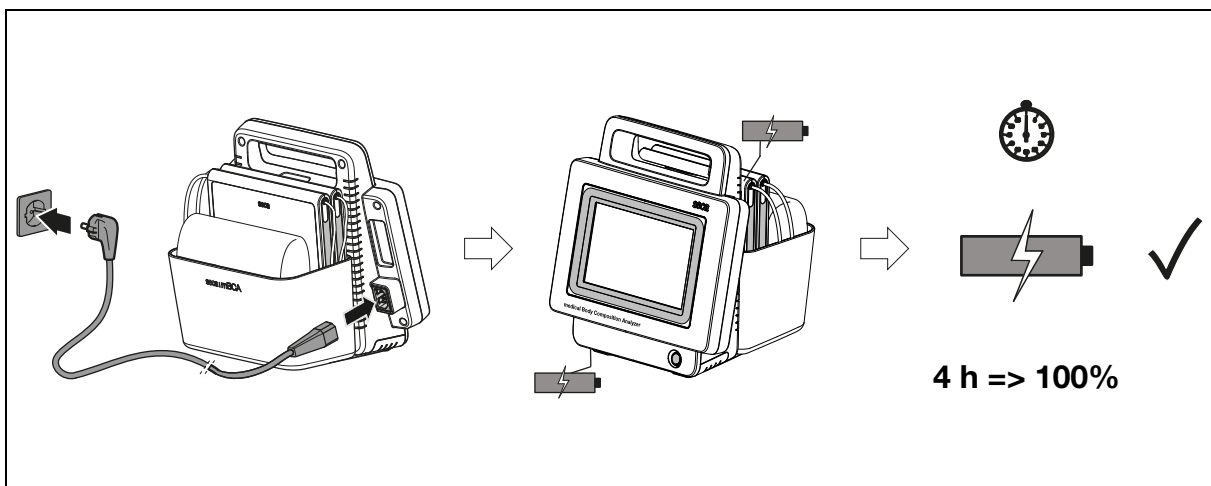
### 3. MESSMATTE ZUSAMMENLEGEN • FOLDING UP THE MEASURING MAT • PLIER LA TOISE-TAPIS • DOBLAR EL TAPETE DE MEDICIÓN

 →  → 

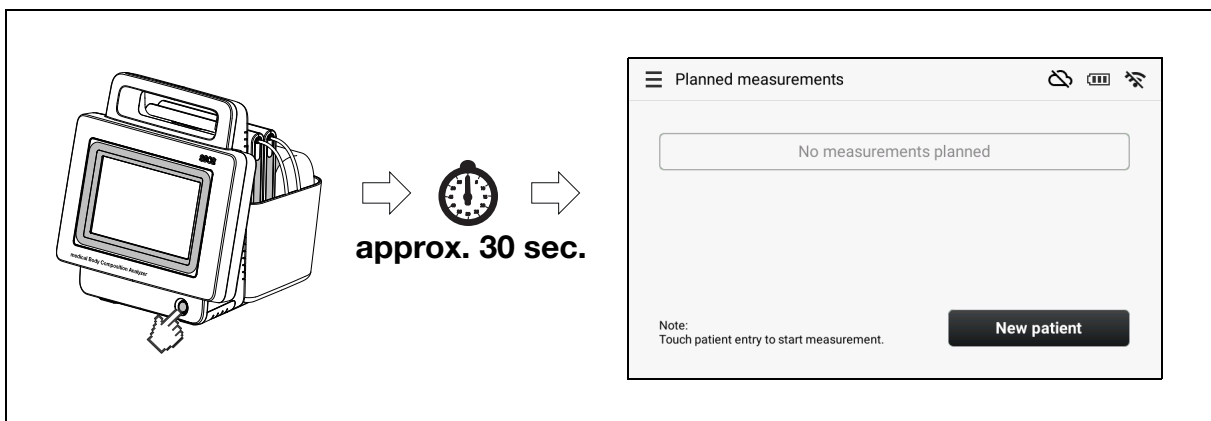
**4. MESSMATTE IN KÖCHER EINHÄNGEN • PLACING MEASURING MAT IN STORAGE COMPARTMENT •  
PLACER LA TOISE-TAPIS DANS L'ÉTUI DE RANGEMENT • COLOCAR LA ESTERA DE MEDICIÓN EN EL SOPORTE**



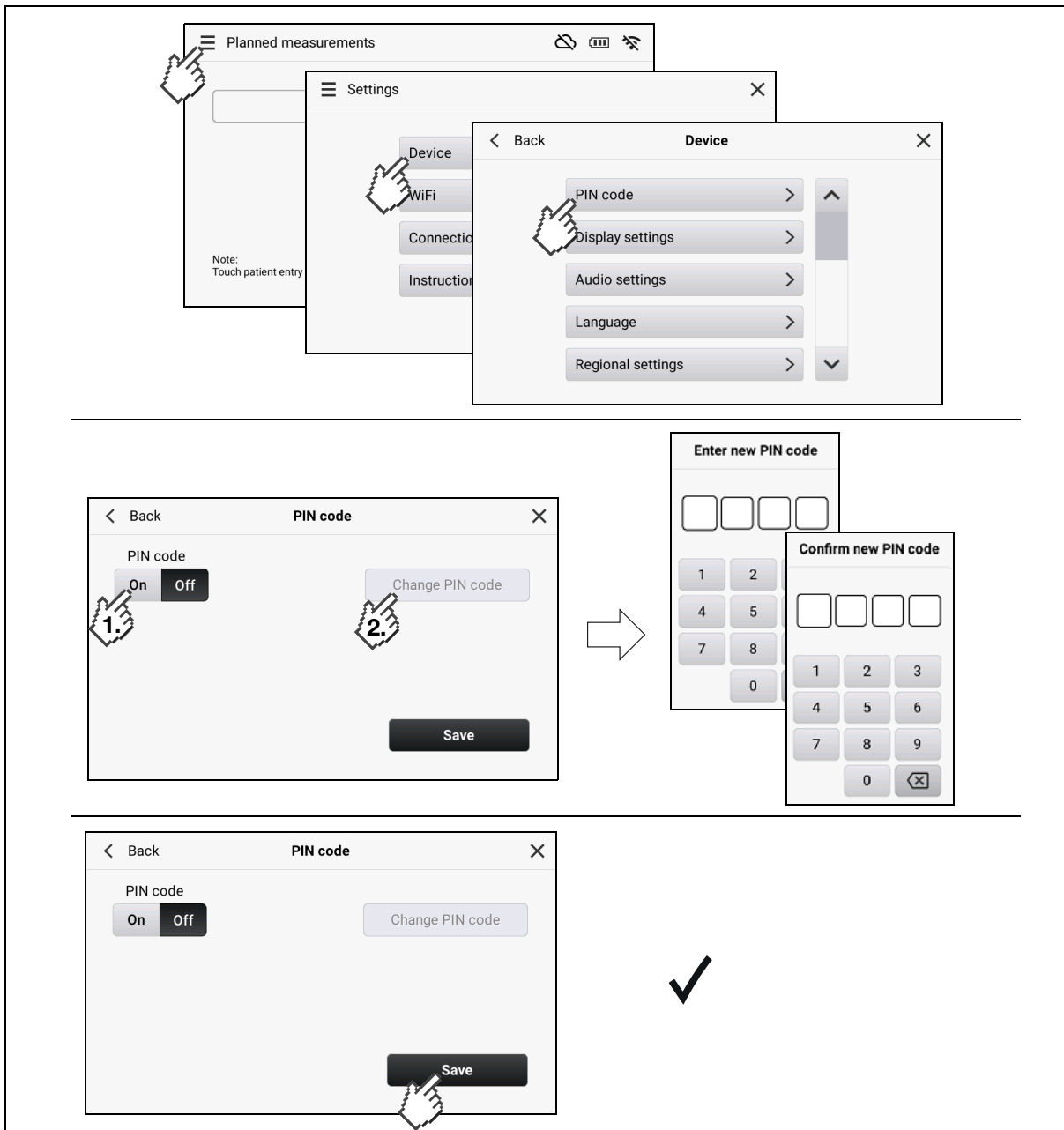
**5. AKKUS LADEN • CHARGING BATTERIES • CHARGER LES PILES • CARGAR LAS BATERÍAS**



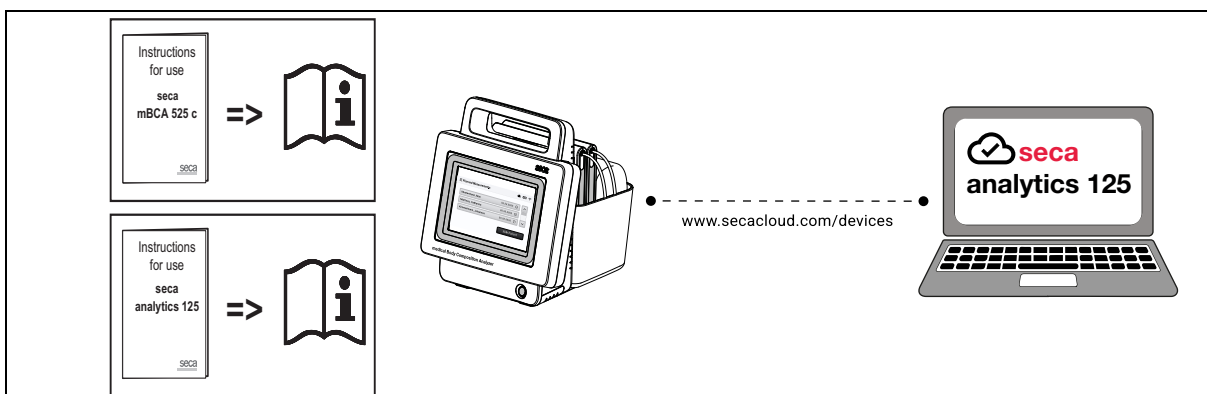
**6. SYSTEM STARTEN • STARTING THE SYSTEM • DÉMARRER LE SYSTÈME • INICIAR EL SISTEMA**



**7. PIN-CODE EINRICHTEN • SETTING UP THE PIN CODE • CONFIGURER LE CODE PIN • CONFIGURAR EL CÓDIGO PIN**



**8. WLAN/LAN UND SECA ANALYTICS 125 ANBINDEN • CONNECT TO WIFI/LAN AND SECA ANALYTICS 125 • CONNECTER WIFI/LAN ET SECA ANALYTICS 125 • CONECTAR WIFI/LAN Y SECA ANALYTICS 125**



17-10-05-410-100\_2024-10S

9. GEBRAUCHSANWEISUNG ANSEHEN • VIEW INSTRUCTIONS FOR USE • ACCÉDER AU MODE D'EMPLOI • CONSULTAR LAS INSTRUCCIONES DE USO

Instructions for use  
**seca**  
**mBCA 525 c**  
seca  
**PDF:**  
**www.seca.com**

Planned measurements  
No measurements planned

Settings  
Device >  
WiFi >  
Connection seca analytics 125 >  
Instructions for use >

Instructions for use  
seca mBCA 525 c  
Instructions for use  
2.0.101  
17-10-05-410-100\_2024-10S

- About this document
- Description of device
- Safety information
- Overview
- Starting up device
- Operation
- Configuration
- Hygiene treatment

[Link](#)

This device uses software known as „free“ or „open source“ software (FOSS). For details go to [www.seca.com/opensource](http://www.seca.com/opensource).

Medical Measuring  
Systems and Scales  
since 1840

seca gmbh & co. kg  
Hammer Steindamm 3-25  
22089 Hamburg  
Germany

T +49 40 20 00 00 0  
F +49 40 20 00 00 50  
E [info@seca.com](mailto:info@seca.com)

seca operates worldwide  
with headquarters in  
Germany and branches in:  
seca france  
seca united kingdom  
seca north america  
seca schweiz  
seca zhong guo  
seca nihon  
seca mexico

seca austria  
seca polska  
seca middle east  
seca suomi  
seca américa latina  
seca asia pacific  
seca danmark  
seca benelux  
seca lietuva

and with exclusive  
partners in more than  
110 countries.

All contact data at  
[seca.com](http://www.seca.com)