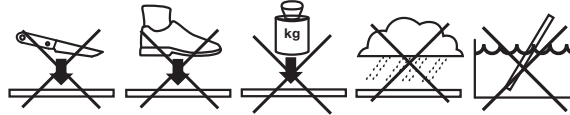


# Quick Start Guide

## seca mBCA 525

- Sicherheitshinweise • Safety precautions
- Consignes de sécurité • Avisos de seguridad
- Правила безопасности • 安全提示 • 安全上のご注意

1.

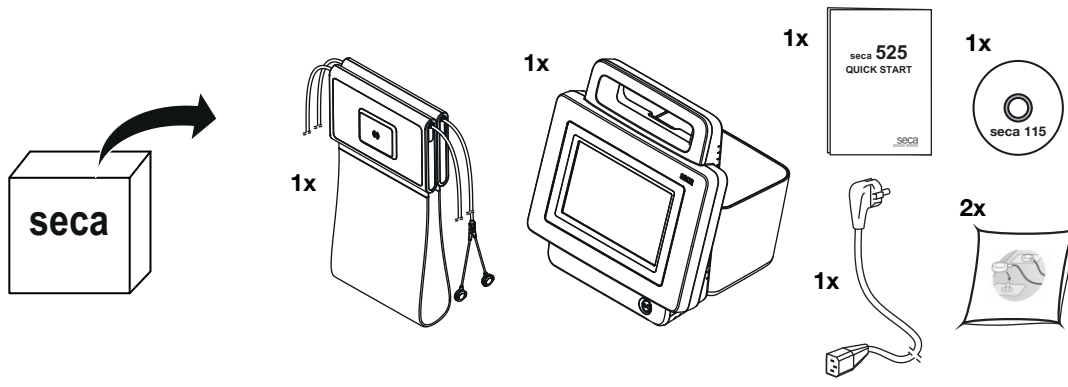


2.

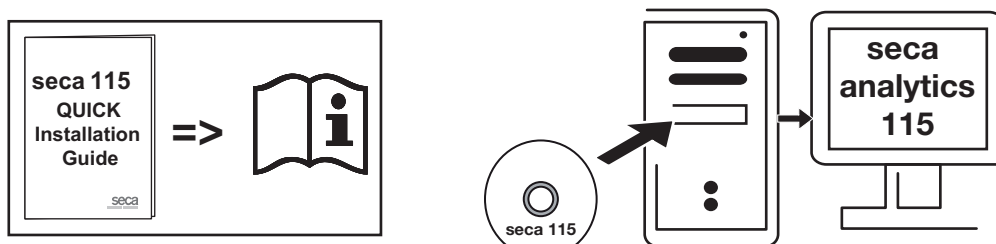
For PDF version go to:  
[www.seca.com](http://www.seca.com)

- Deutsch
- U.S. English =>
- ...

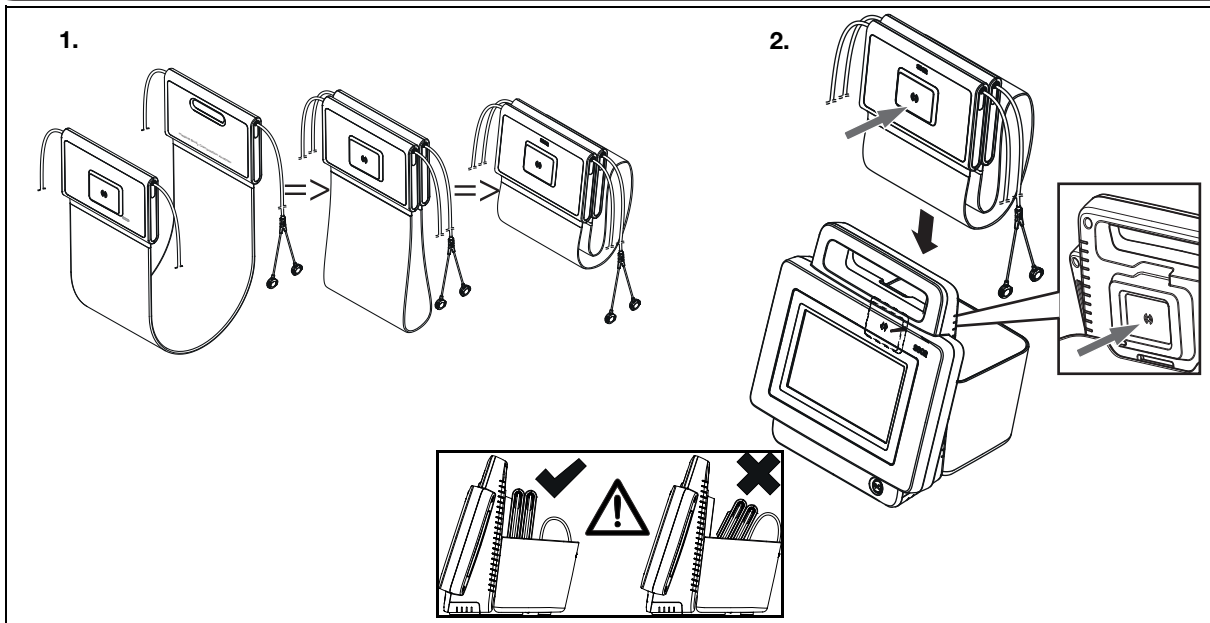
- Lieferumfang • Scope of Supply
- Éléments livrés • Volumen de suministro
- Комплект поставки • 供货范围 • 同梱物



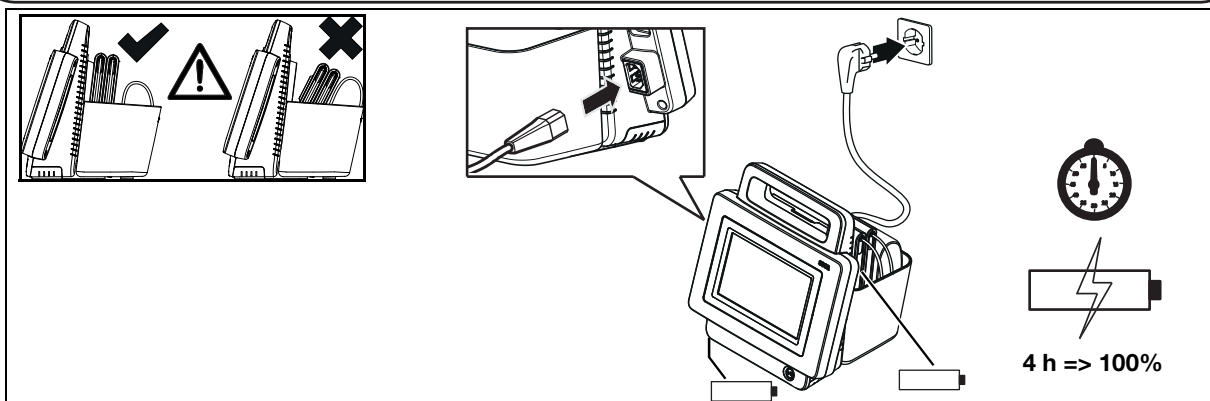
- seca analytics 115 installieren • Installing seca analytics 115
- Installer seca analytics 115 • Instalar seca analytics 115
- Установка seca analytics 115 • 安装 seca analytics 115 • seca analytics 115 のインストール



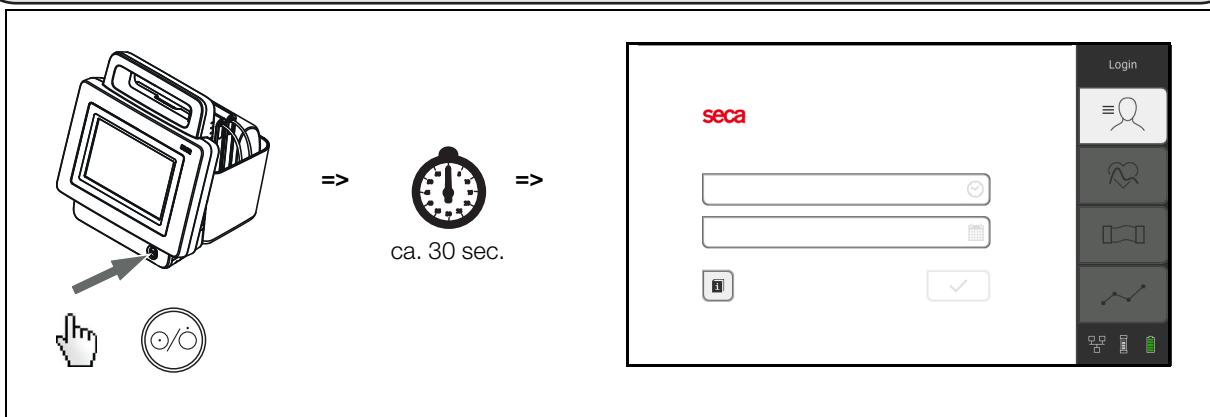
• Messmatte in Köcher einhängen • Placing measuring mat in storage compartment • Placer la toise-tapis dans l'étui de rangement • Colocar la estera de medición en el soporte • Расположение измерительного коврика в контейнере  
• 将测量垫挂入皮套 • 測定マットをクイーパーにかける



• Akkus laden • Charging Batteries  
• Charger les piles • Cargar las baterías  
• Зарядка аккумулятора • 对蓄电池充电 • 充電電池の充電



• System starten • Starting the system  
• Démarrer le système • Iniciar el sistema  
• Запуск системы • 启动系统 • システム起動



• Nach erstem Systemstart: Datum/Uhrzeit einstellen • Following initial system start: set Date/Time • Après le démarrage initial du système : régler la date/l'heure • Después del primer inicio del sistema: ajustar fecha/hora • После первого запуска системы: настройка даты/времени • 在首次系统启动后: 设置日期 / 时间 • 初回起動時: 日付 / 時刻の設定

• Nach jedem Systemstart: Login • Following every System start: Login  
• Après chaque démarrage : login • Después de cada inicio del sistema: iniciar sesión  
• После каждого запуска системы: учетная запись • 在每次系统启动后: 登录 • 毎回の起動後: ログイン

Name	Role
admin	Admin
service	Service
user	Physician

- **Gebrauchsanweisung ansehen** • **View instructions for use**
- **Accéder au mode d'emploi** • **Consultar las instrucciones de uso**
- **Просмотр инструкции по эксплуатации** • **查看使用说明** • **取扱説明書の閲覧**

For PDF version go to:  
[www.seca.com](http://www.seca.com)

The diagram illustrates the user interface for viewing instructions on a mobile device. At the top, there is a login screen with the 'seca' logo, input fields for email and password, and a 'Login' button. Below this, a language selection menu is shown with options for 'Deutsch', 'U.S. English', and '...', with a checkmark indicating the selected language. The main content area displays the 'INSTRUCTIONS FOR USE FOR SECA 535/SECA 525'. A blue arrow labeled 'Link' points to a table of contents with the following items: Device description, Safety precautions, Device overview, Start up device, Operation, Hygiene treatment, Function check, Maintenance, What do I do if...?, Technical data, Optional accessories and spare parts, Disposal, Warranty, Declarations of conformity, and For administrators: Configure seca 535/seca 525. Below the table of contents, there is a 'NOTE' section. The instructions are presented in a scrollable document format, with a hand icon indicating the scrollable area. At the bottom, there are navigation arrows and a home button icon. Below the home button, there are two stacks of document pages representing the instruction manual, with arrows indicating the scrollable nature of the content.

This device uses software known as „free“ or „open source“ software (FOSS). For details go to [www.seca.com/opensource](http://www.seca.com/opensource).

Medical Measuring  
Systems and Scales  
since 1840

17-10-05-349-100b\_01-2020S

seca gmbh & co. kg  
Hammer Steindamm 3–25  
22089 Hamburg  
Germany

T +49 40 20 00 00 0  
F +49 40 20 00 00 50  
E [info@seca.com](mailto:info@seca.com)

seca operates worldwide  
with headquarters in  
Germany and branches in:  
seca france  
seca united kingdom  
seca north america  
seca schweiz  
seca zhong guo

seca nihon  
seca mexico  
seca austria  
seca polska  
seca middle east  
seca suomi  
seca américa latina  
seca asia pacific

seca danmark  
seca benelux  
seca lietuva  
and with exclusive  
partners in more than  
110 countries.

All contact data at [seca.com](http://seca.com)