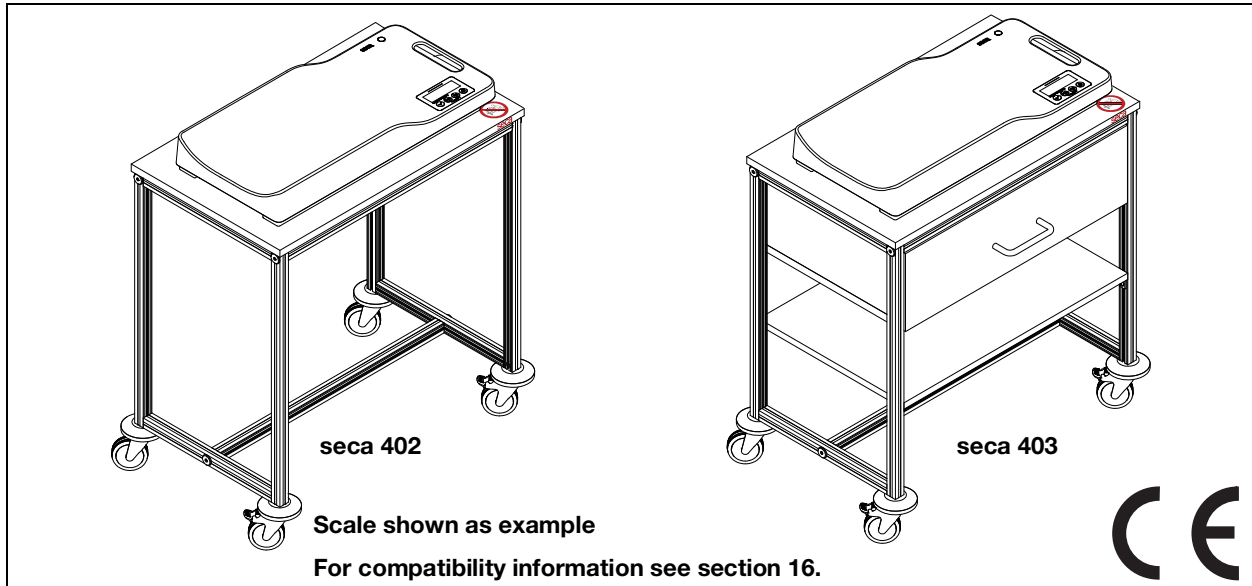


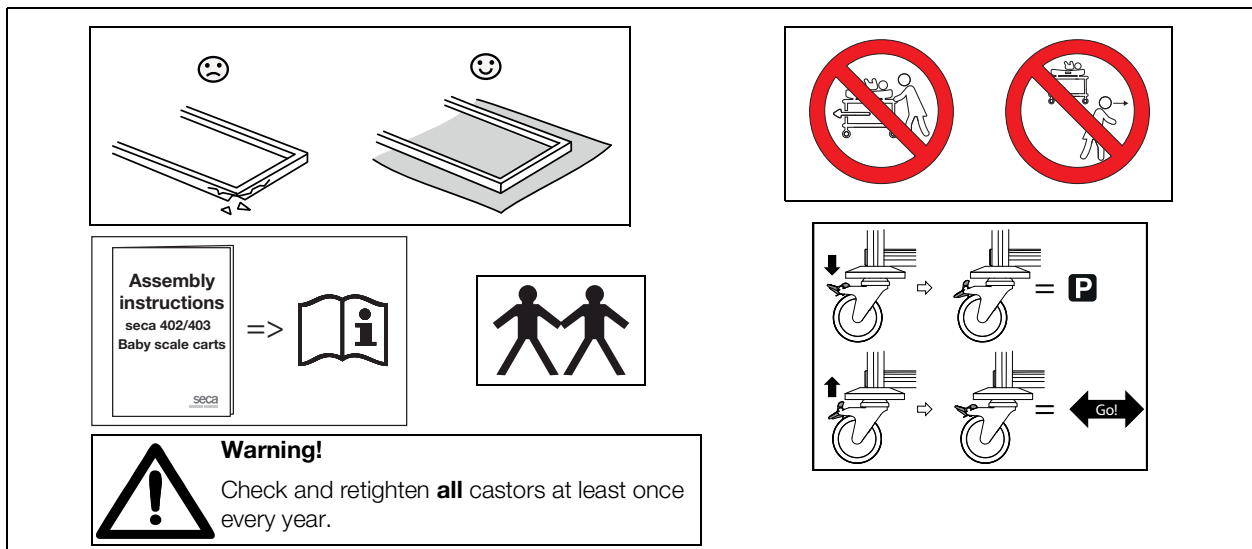
Assembly instructions

seca 402/403 baby scale carts

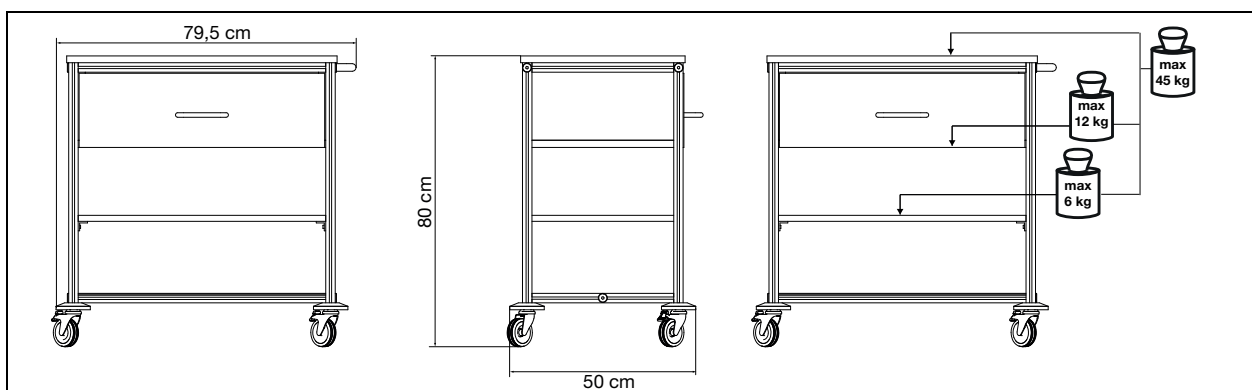
1. PRODUCTS IN THIS MANUAL/INTENDED USE



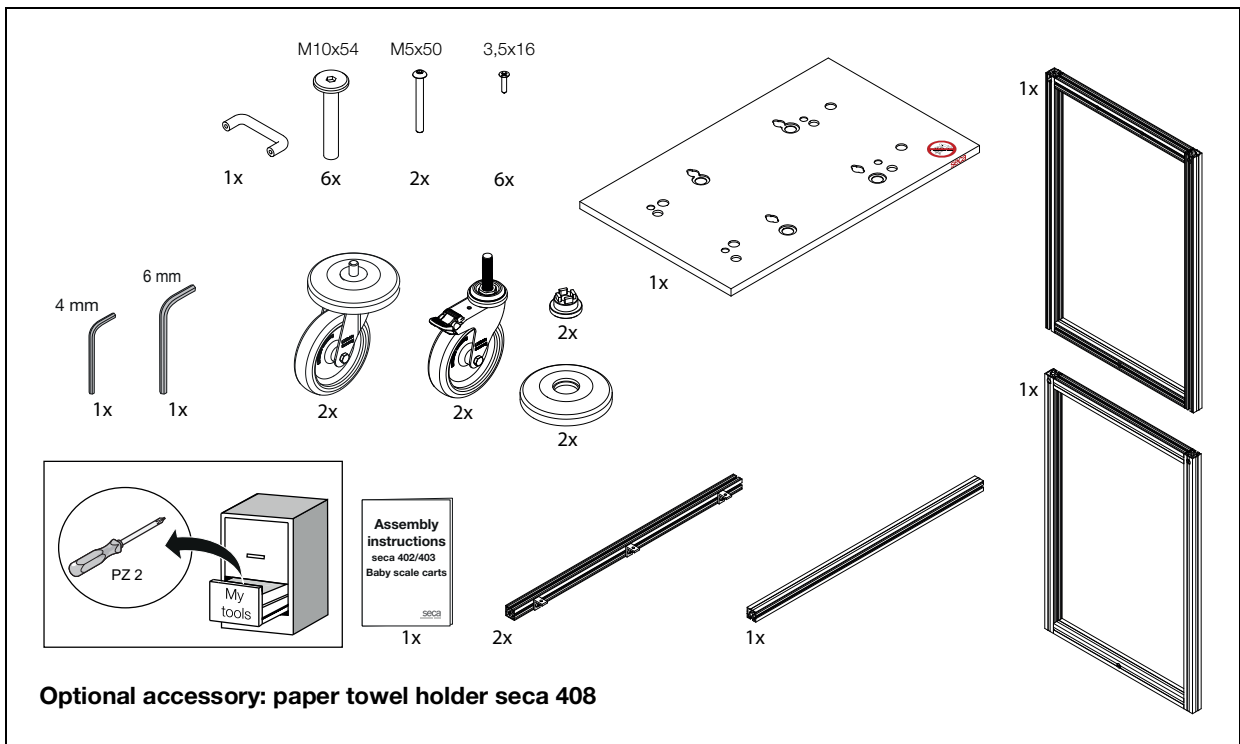
2. SAFETY PRECAUTIONS



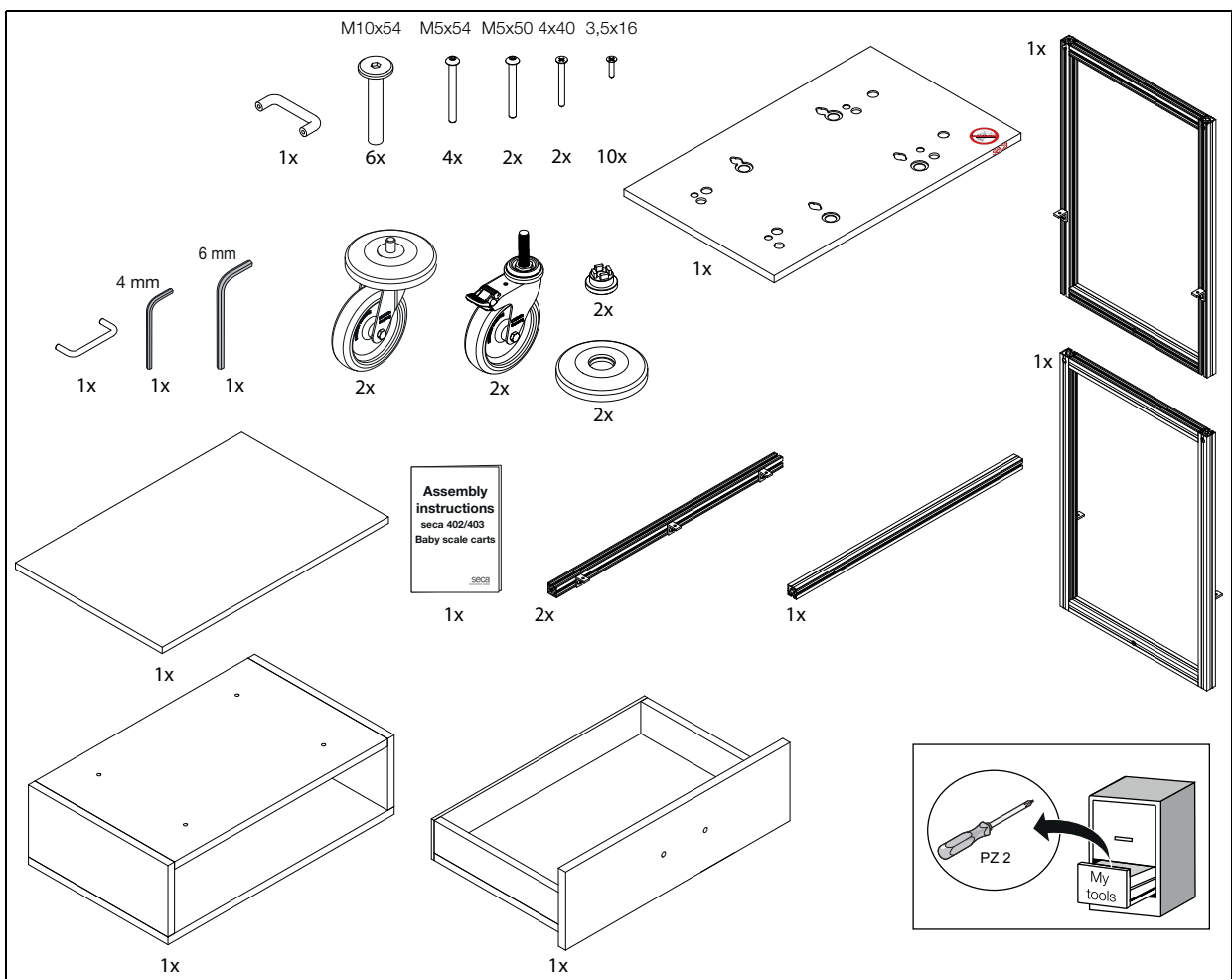
3. DIMENSIONS AND MAXIMUM LOADS (SECA 403 SHOWN)



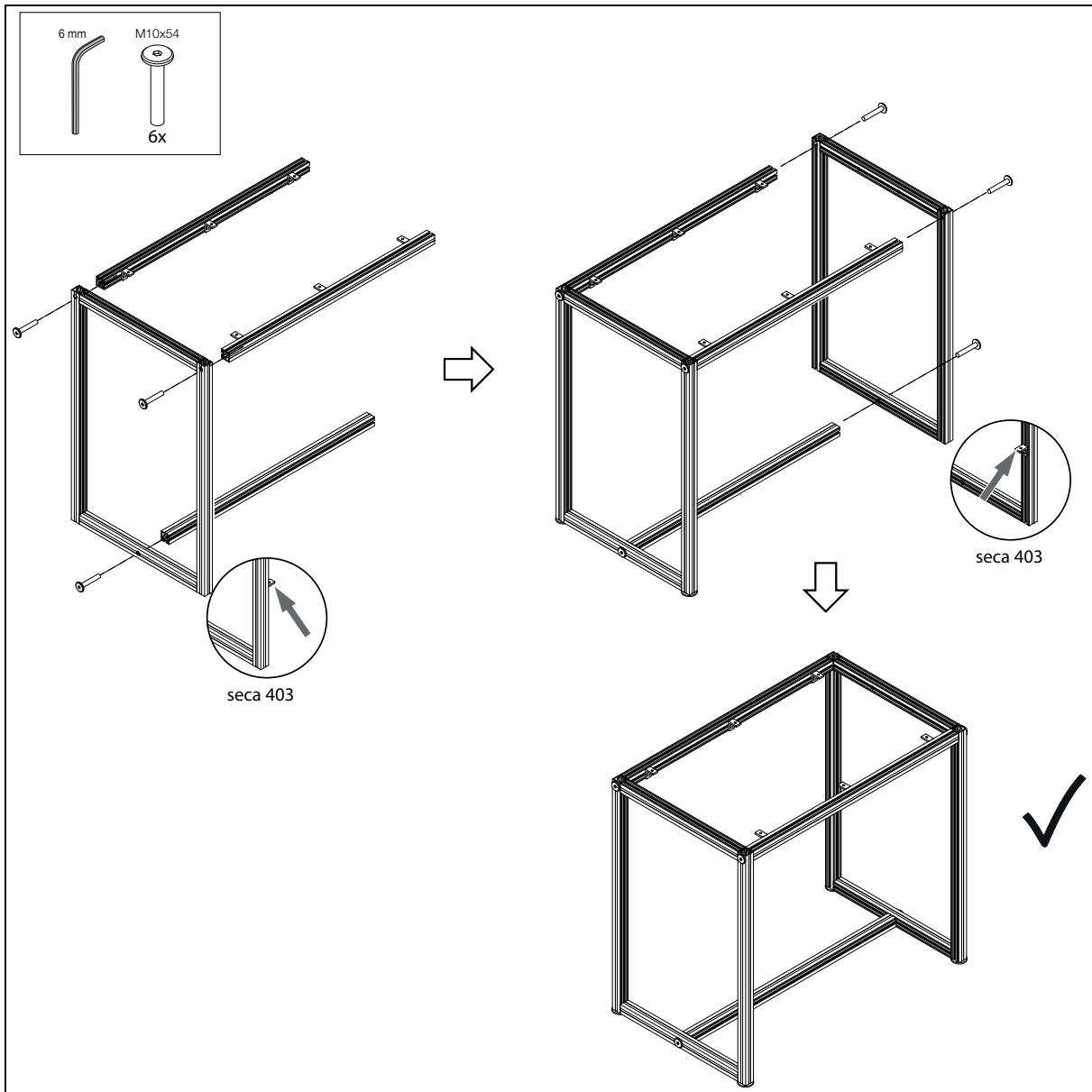
4. SECA 402 SCOPE OF DELIVERY



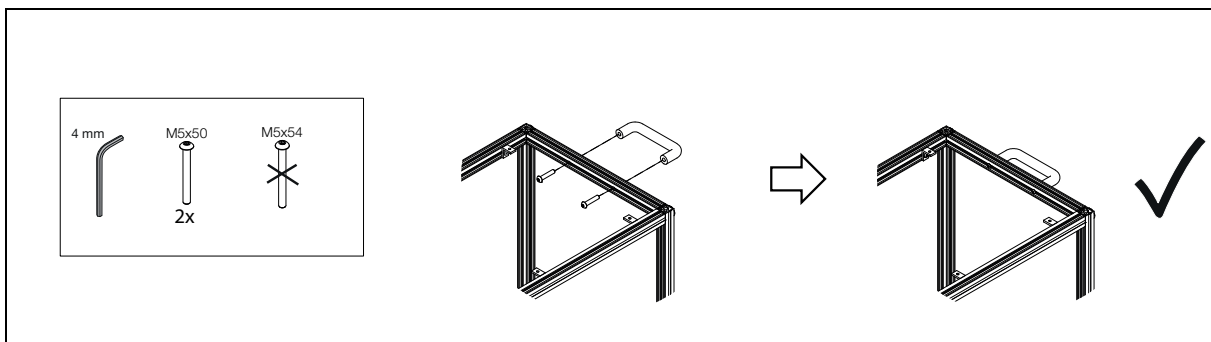
5. SECA 403 SCOPE OF DELIVERY



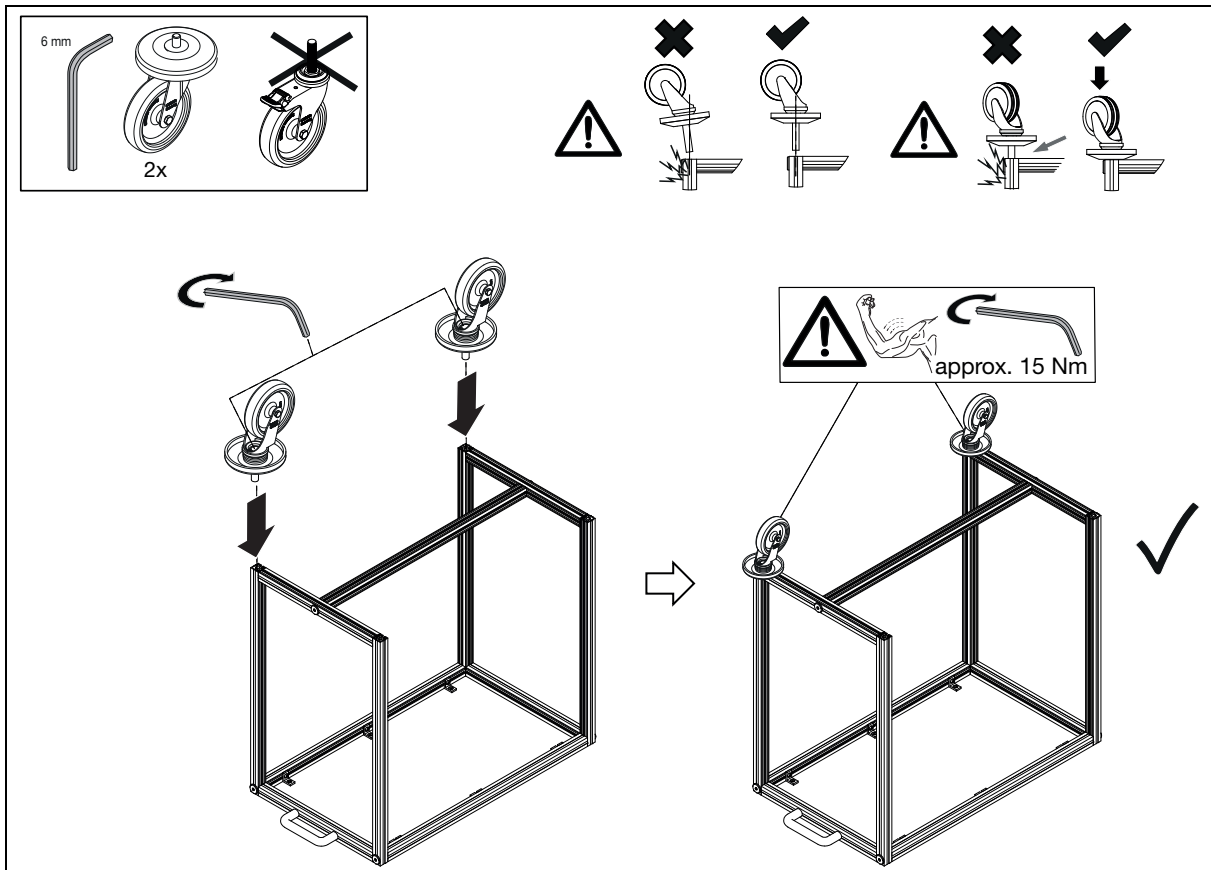
6. ASSEMBLING THE FRAME



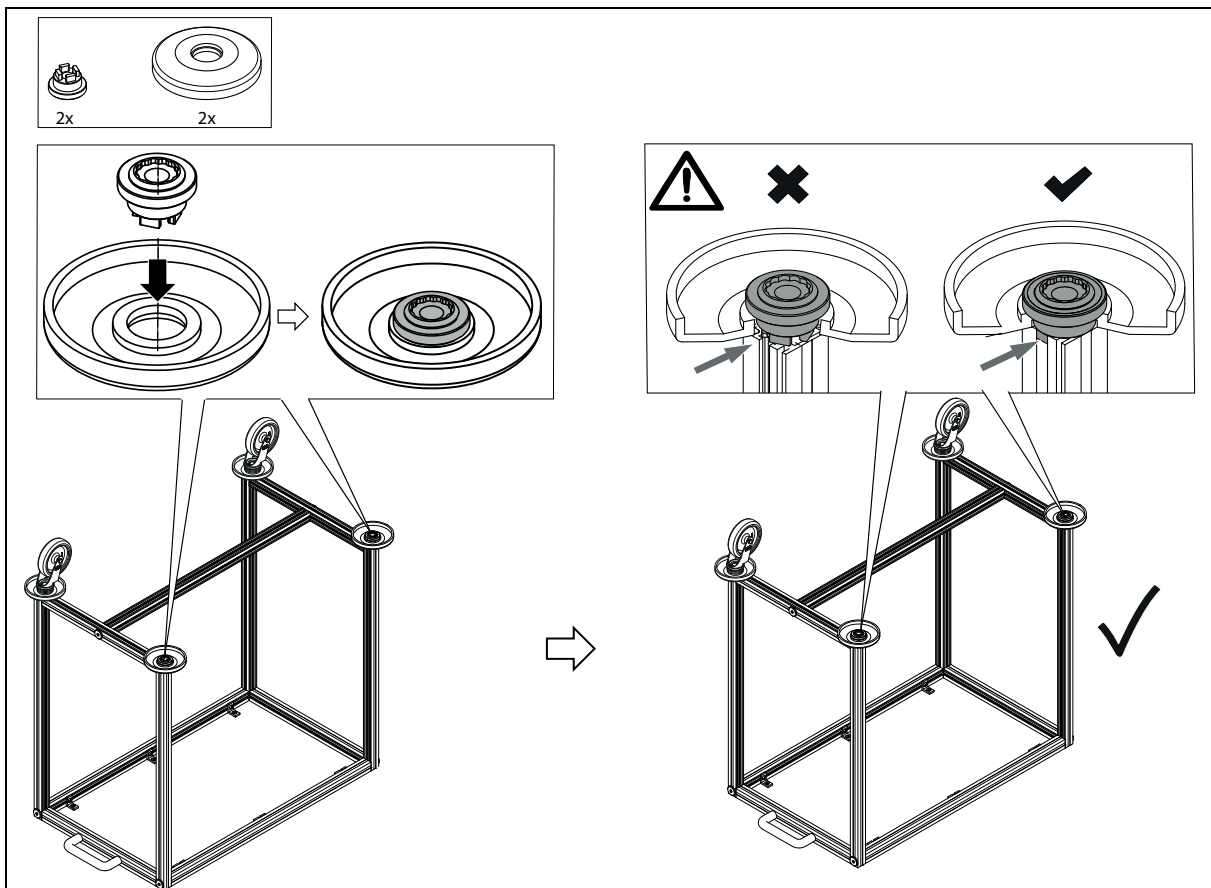
7. MOUNTING THE HANDLE

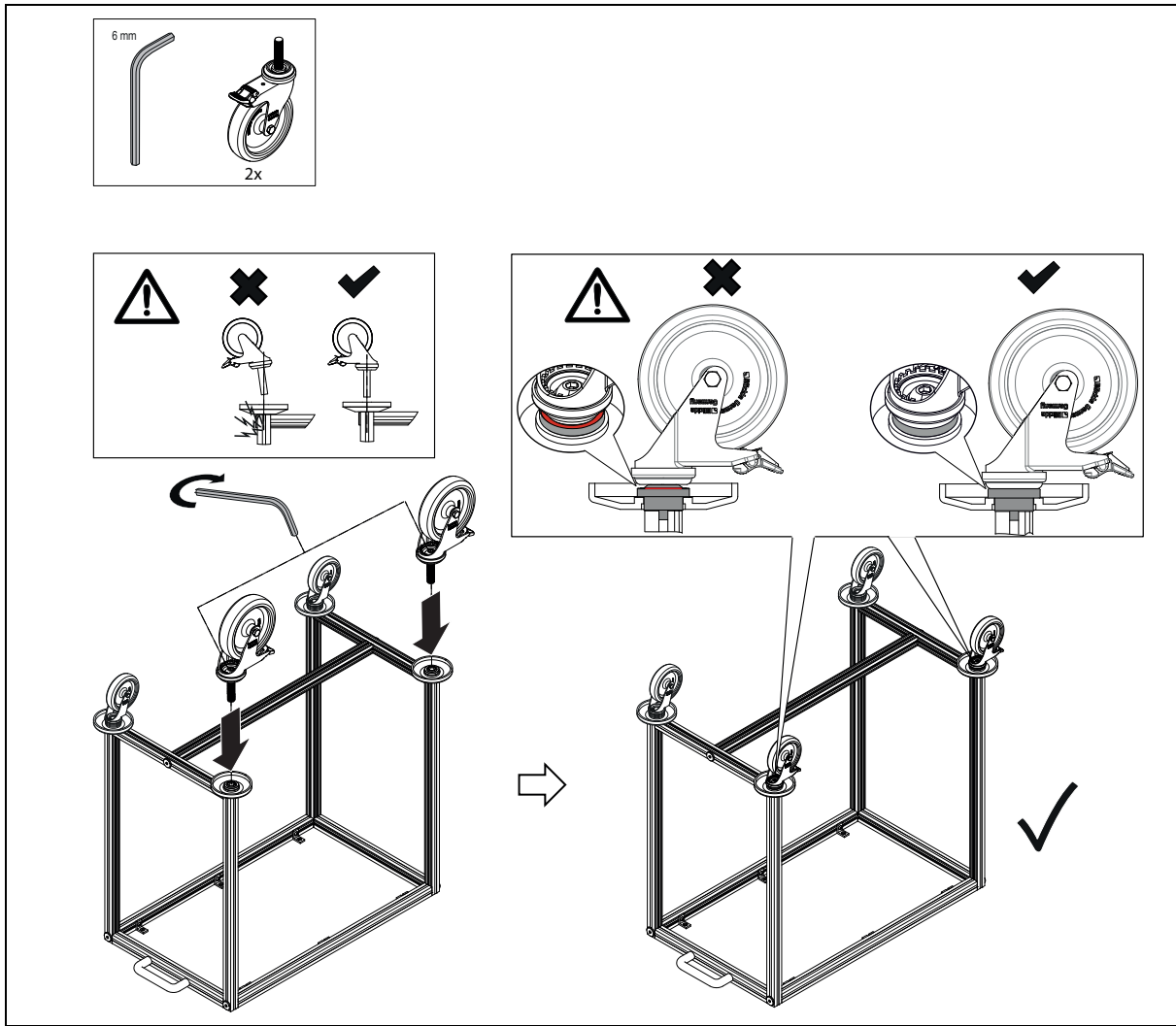


8. MOUNTING THE UNBRAKED CASTORS (SECA 402 SHOWN)

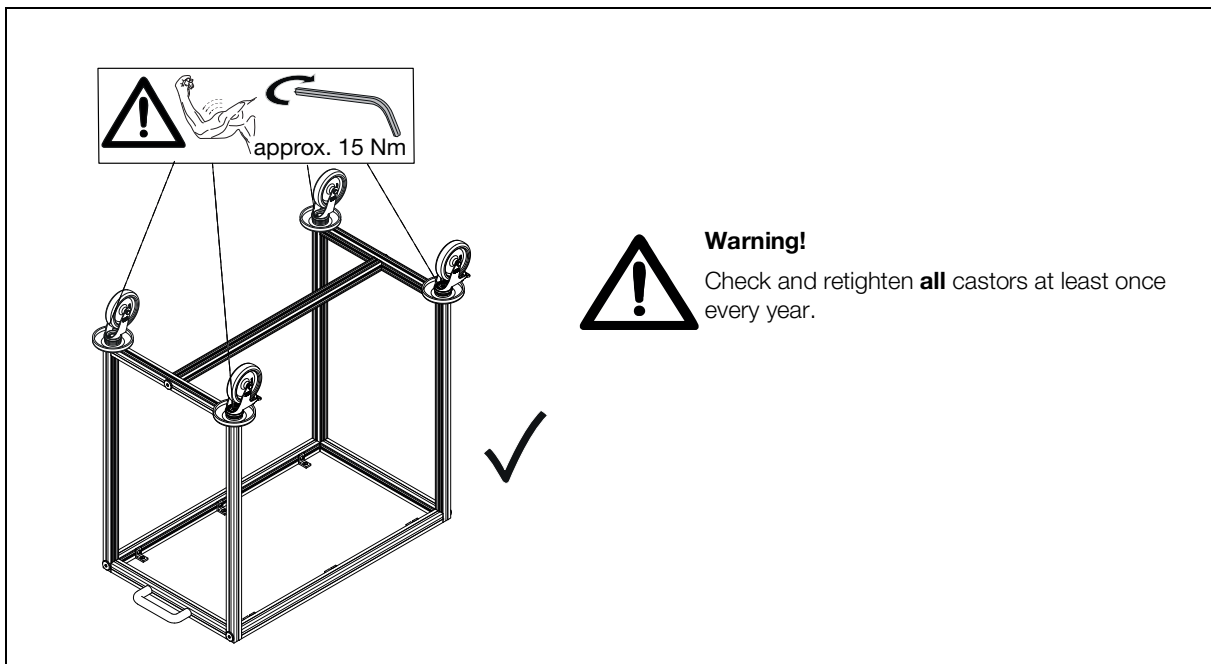


9. MOUNTING THE BRAKED CASTORS (SECA 402 SHOWN)

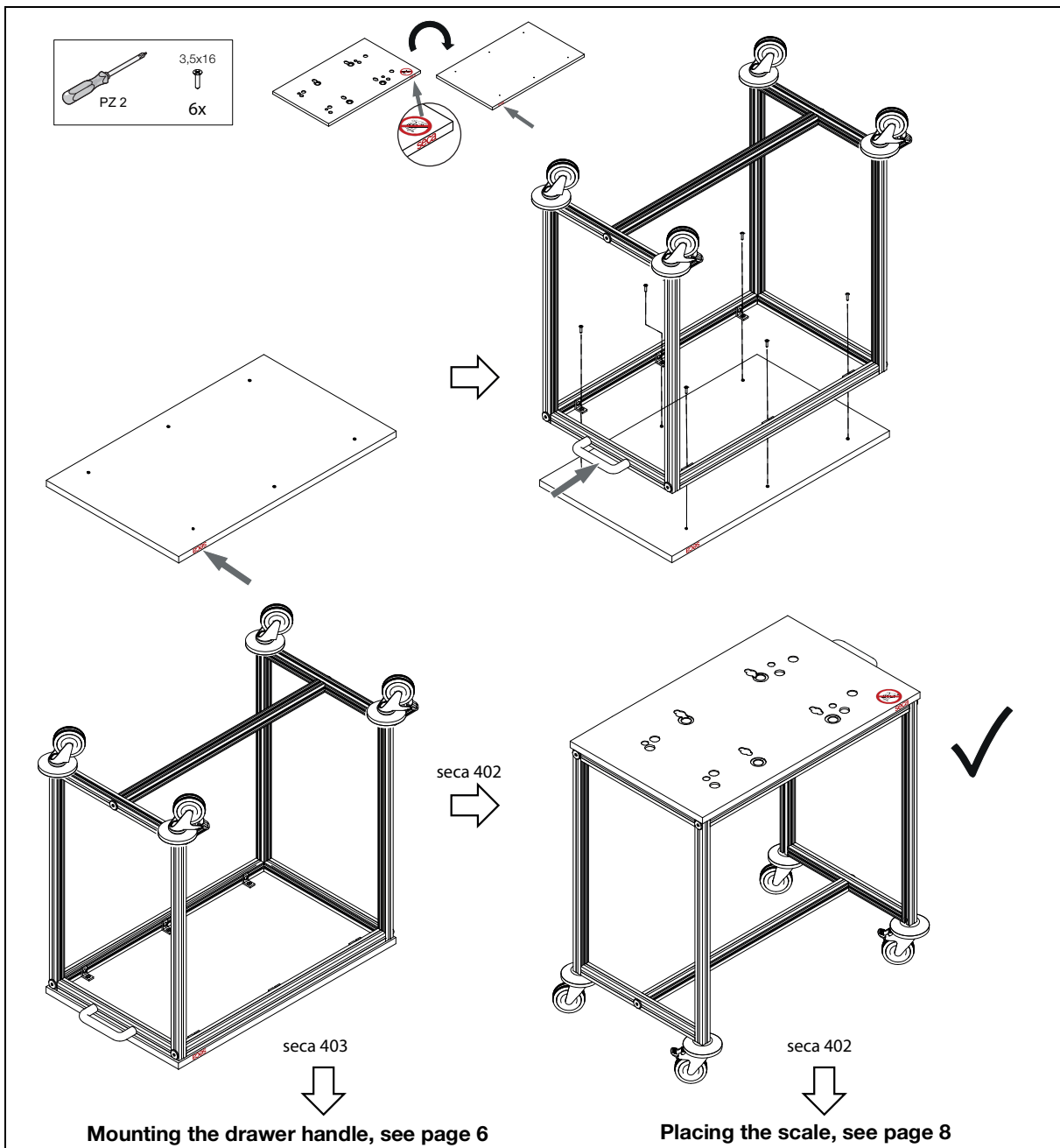




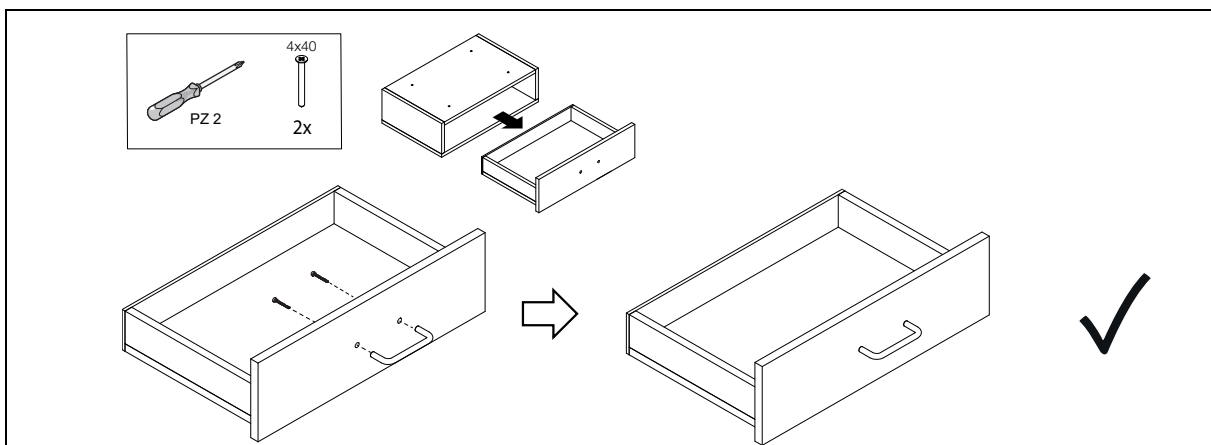
10. TIGHTEN ALL CASTOR SCREWS SECURELY (SECA 402 SHOWN)



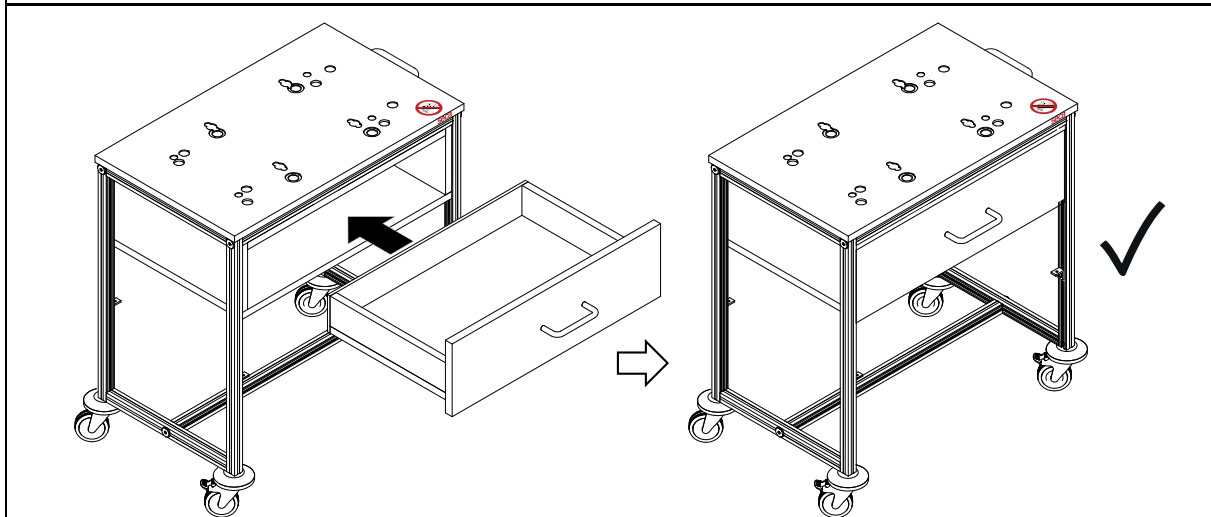
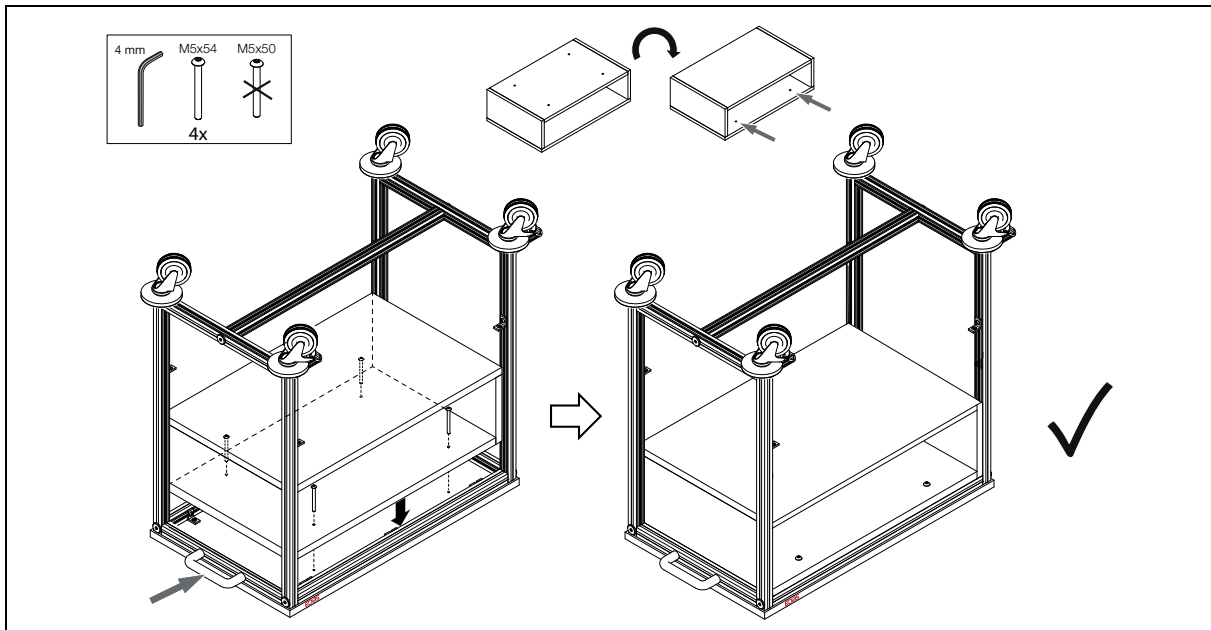
11. MOUNTING THE TOP SHELF



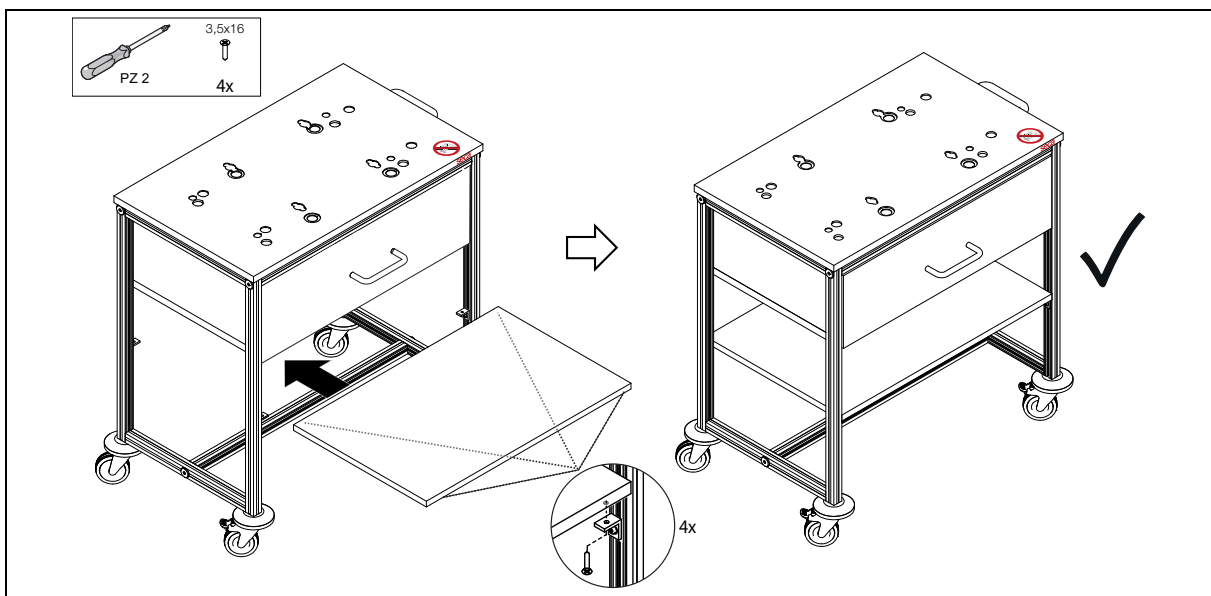
12. MOUNTING THE DRAWER HANDLE (SECA 403 ONLY)



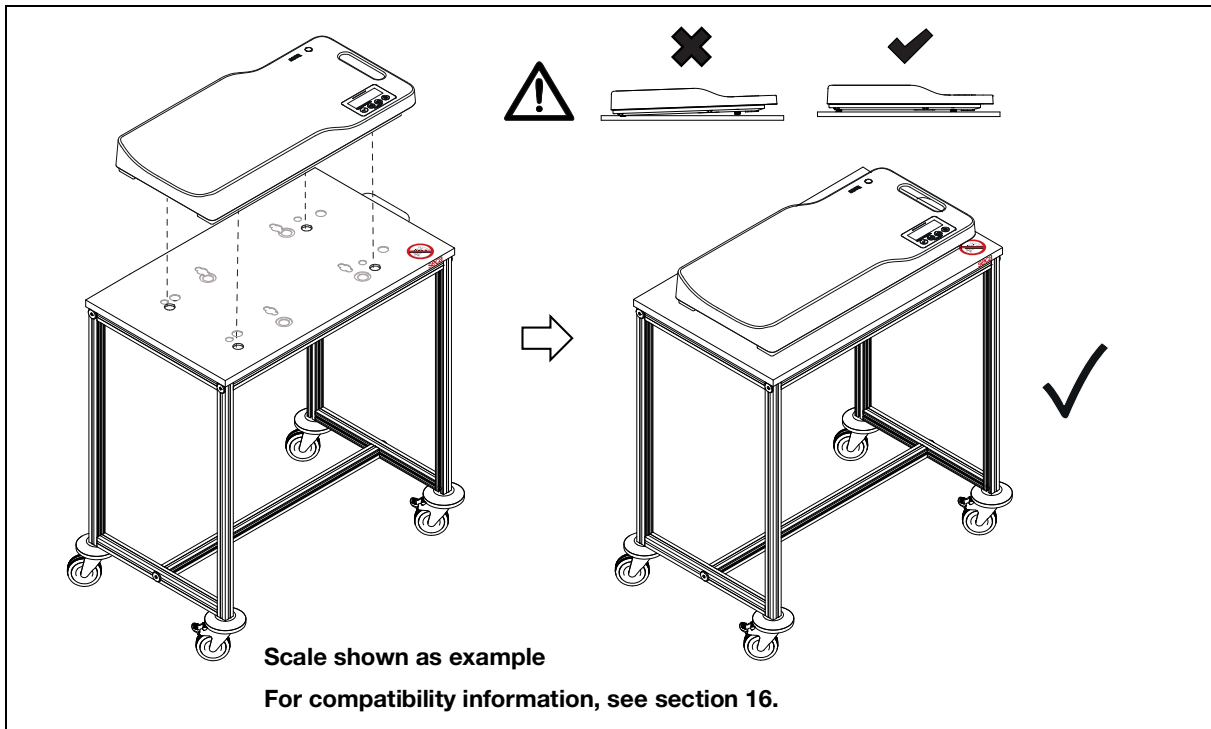
13. MOUNTING THE DRAWER (SECA 403 ONLY)



14. MOUNTING THE SHELF (SECA 403 ONLY)



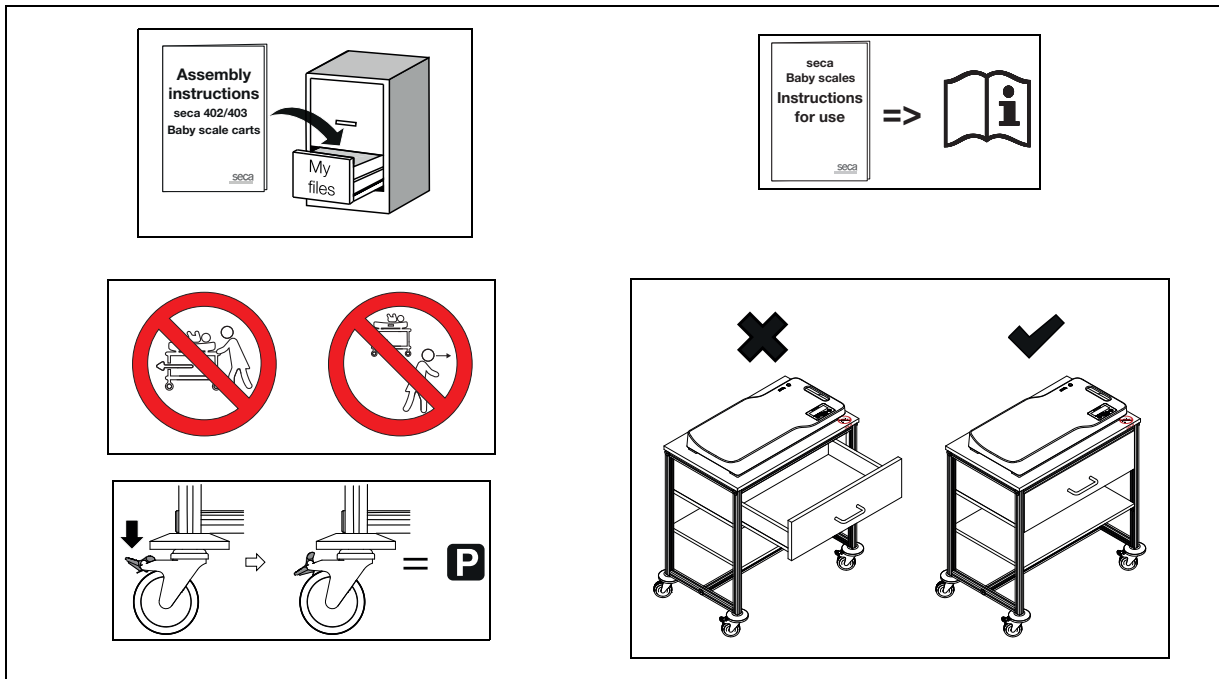
15. PLACING THE SCALE (SECA 402 SHOWN)



16. COMPATIBLE SCALES (SECA SCALES ONLY)

Patterns for seca scales	
<p>seca 334 / seca 335</p>	<p>seca 336 / seca 336i / seca 333i</p>
<p>seca 378 / seca 376 / seca 374</p>	<p>seca 354 / seca 382 / seca 383 / seca 833 / seca 834 / seca 835 / seca 385 / seca 384</p>
<p>seca 727 / seca 728</p>	<p>seca 757 / seca 717</p>

17. PRIOR TO WEIGHING



18. HYGIENIC TREATMENT

Cleaning

NOTICE:

- ▶ Do not use aggressive or abrasive cleaning agents.
- ▶ Do not use organic solvents (e.g. white spirit or petroleum spirit).

1. Moisten a soft cloth with a soap solution.
2. Wipe over all surfaces.
3. Rinse thoroughly with hot water.
4. Dry surfaces with a soft cloth.

Disinfecting

NOTICE:

- ▶ Follow the instructions on the disinfectant.
- ▶ Test disinfectant beforehand on a small, non-visible area.

1. Moisten a soft cloth with disinfectant.
2. Wipe over all surfaces.
3. Allow disinfectant to act for the time indicated in the disinfectant's instructions.
4. Rinse thoroughly with water.
5. Dry surfaces with a soft cloth.

Medical Measuring Systems and Scales since 1840

seca gmbh & co. kg
Hammer Steindamm 3–25
22089 Hamburg · Germany
Telephone +49 40 20 00 00 0
Fax +49 40 20 00 00 50
info@seca.com

seca operates worldwide with headquarters
in Germany and branches in:

[seca france](#)

[seca united kingdom](#)

[seca north america](#)

[seca schweiz](#)

[seca zhong guo](#)

[seca nihon](#)

[seca mexico](#)

[seca austria](#)

[seca polska](#)

[seca middle east](#)

[seca brasil](#)

[seca suomi](#)

[seca américa latina](#)

[seca asia pacific](#)

[seca danmark](#)

[seca benelux](#)

[seca lietuva](#)

and with exclusive partners in
more than 110 countries.

All contact data at seca.com